

4

3

2

1

THIS DRAWING IS UNPUBLISHED.
DIFFUSION RESEINTE AMP

RELEASED FOR PUBLICATION

.19

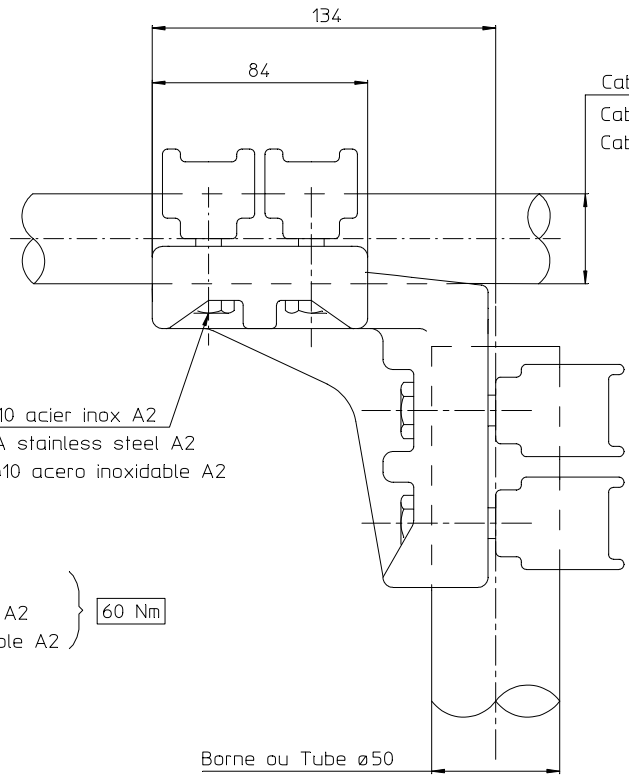
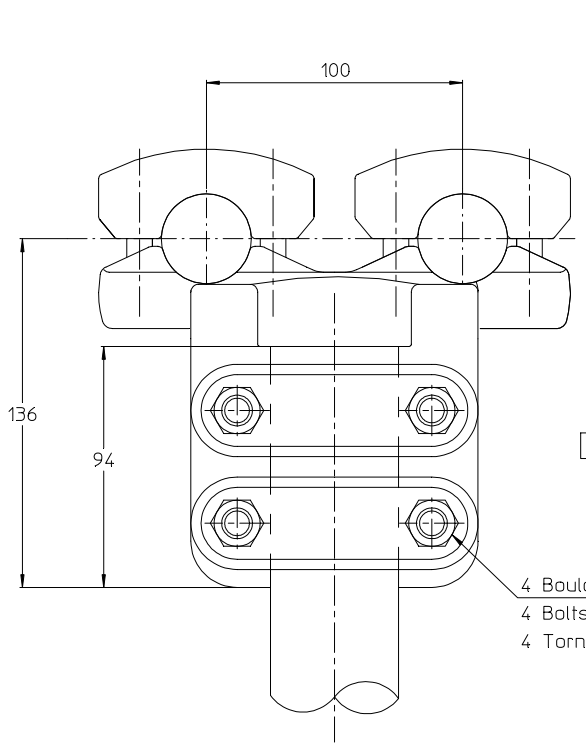
© COPYRIGHT 1997

BY AMP INCORPORATED. ALL RIGHTS RESERVED.
TOUS DROITS RESERVES

LOC DIST
FH 2

REVISIONS

P	LTR REV	DESCRIPTION MODIFICATIONS	DATE	DWN DESS.	APVD APP.
	C	EQ00-0466-06	2-Nov-06	EN	LR



Cable ou tube ø31 à 35.99
Cable or tube 31DIA to 35.99
Cable o tubo ø31 a 35.99

37 Nm { 8 Boulons ø10 acier inox A2
8 Bolts 10DIA stainless steel A2
8 Tornillos ø10 acero inoxidable A2

4 Boulons ø12 acier inox A2
4 Bolts 12DIA stainless steel A2
4 Tornillos ø12 acero inoxidable A2 } 60 Nm

Borne ou Tube ø50
Terminal or tube 50DIA
Borne o tubo ø50

<small>THIS DRAWING IS A CONTROLLED DOCUMENT FOR AMP INCORPORATED. IT IS SUBJECT TO CHANGE AND THE CONTROLLING ENGINEERING ORGANIZATION SHOULD BE CONTACTED FOR THE LATEST REVISION. CE PLAN EST UN DOCUMENT CONTROLÉ PAR AMP INCORPORATED. IL EST SUSCEPTIBLE D'ÊTRE REVISÉ, CONTACTER LE SERVICE TECHNIQUE D'AMP SIMEL POUR OBTENIR LA DERNIÈRE REVISION.</small>		DWN /DESSINE NIVONIS 2-Nov-06	tyco	SIMEL
<small>DIMENSIONS: mm</small>		CHK /VERIFIE GODARD 2-Nov-06	Electronics	21220 Gevrey Chambertin FRANCE
<small>TOLERANCES UNLESS OTHERWISE SPECIFIED PER TOLERANCES NON SPECIFIEES SELON : -</small>		APVD /APPROUVE ROYER	NAME TITRE T 82 F 35 E100 50	
		PRODUCT SPEC SPEC. PRODUIT 02BFC0031	SIZE FORMAT A3	CAGE CODE 00779
<small>MATERIAL MATIERE</small> -		APPLICATION SPEC SPEC. APPLICATION -	DRAWING NO NO PLAN C-1984040	
<small>FINISH FINITION</small> -		APPROX. WEIGHT MASSE APPROX. 2.8 KG	UNIQUEMENT POUR REFERENCE	SCALE ECHELLE 1/2
		CUSTOMER DWG / PLAN CLIENT	SHEET FEUILLE 1 OF 1 DE 1	REV C

ITEM: ○